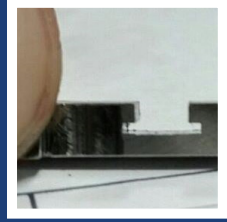
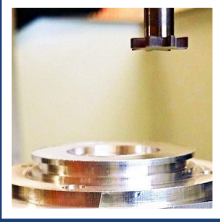


Harvey Tool's Quickturn Keyseat Program complements our already expansive line of over 1,300 fully stocked Keyseat Cutters!



“The body of these rollers have 120 .125” full radius grooves .110” deep. I’ve done them before using a standard ball nose, but #HarveyTool’s **full radius keyseat cutter** allowed me to machine them **3 times faster!**”

– Brandon L. (Bells, TX)

THINK HARVEY TOOL FIRST FOR KEYSEAT CUTTERS

Standard Product Offering

- ▶ Over 1,300 fully stocked sizes
- ▶ Cutter diameters from 1/16” to 1-1/2”
- ▶ Multiple profiles and radial depths of cut

Custom Quickturn Program

- ▶ 3 day turnaround
- ▶ Instant pricing model
- ▶ Infinite custom combinations



To shop all sizes and styles, visit harveytool.com/keyseats



428 Newburyport Turnpike, Building 5 • Rowley, MA 01969
800-645-5609 / 978-948-8558 Fax • www.harveytool.com

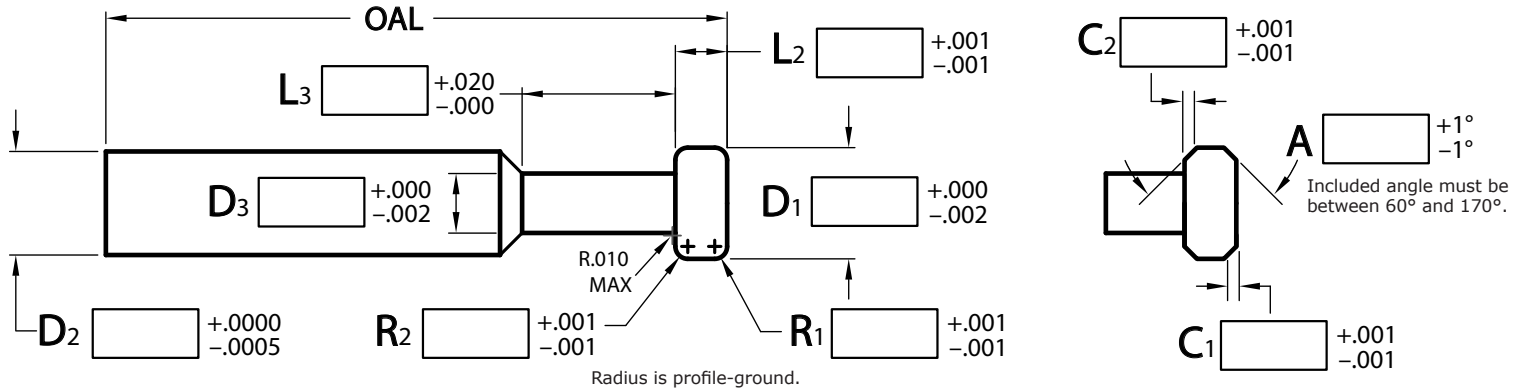
QUICKTURN KEYSEATS

SHIPPING IN 3 DAYS
GUARANTEED!*



*3 Business Days. Restrictions apply.

Please fill in the form below and email quickturn@harveytool.com or fax to **978-948-8560**. Complete information allows us to respond to your request in a more timely fashion and design an optimized tool for your application.



3 DAY QUICKTURN KEYSEATS (Shipping Guarantee Applies to Keyseats with the Following Dimensions)

Cutter Diameter D ₁	Head Width L ₂	Shank Dimension	Neck Length L ₃		Flutes	Neck Diameter D ₃	Price Per Piece			Additional Price Per Piece			
			Min	Max**			3 pc	6 pc	12 pc	One Radius (.005 ≤ R ≤ (L ₂)/2)	Two or Full Radius (.005 ≤ R ≤ (L ₂)/2)	One Chamfer (.005 ≤ C ≤ (L ₂)/3)	Two Chamfers (.005 ≤ C ≤ (L ₂)/3)
.090-.125	.025-.094	1/8 D x 2.0 OAL	0.093	0.250	3, 4	≥ 1/3 Cutter ø (D ₁)	\$100	\$85	\$73	Add \$35	Add \$55	Add \$30	Add \$45
.090-.187	.030-.094	3/16 D x 2.5 OAL	0.093	0.750	3, 4, 5		\$110	\$97	\$84				
.150-.250	.030-.125	1/4 D x 2.5 OAL	0.093	1.000	3, 4, 5, 6		\$120	\$106	\$94				
.180-.312	.030-.150	5/16 D x 3.0 OAL	0.125	1.250	4, 5, 6, 8		\$127	\$113	\$99				
.180-.375	.030-.180	3/8 D x 3.0 OAL	0.187	1.250			\$138	\$121	\$108				
.200-.500	.030-.200	1/2 D x 3.5 OAL	0.187	1.500			\$156	\$137	\$126				
.300-.625	.060-.300	5/8 D x 4.0 OAL	0.250	1.750		\$220	\$193	\$175					

**For neck diameters (D₃) less than 50% of cutter diameter (D₁), maximum neck length (L₃) is 5x neck diameter.

Workpiece Material:	Full Name:	Title:
Flutes:	Company Name:	
Quantity:	Address Line 1:	
Price:	Address Line 2:	
Additional Notes:	City, State:	Zip Code:
	Phone:	Fax:
	Email:	
	Preferred Distributor*:	

*Harvey Tool sells through select distribution in the United States and Canada. Please visit www.harveytool.com/distributors.

KEY CONDITIONS

- All dimensions must meet the criteria as defined in the table above. This form must be filled out completely and all information should be clearly legible. Tools will be shipped 3 business days after the distributor's PO is received. PO's received after 2 p.m. EST will be processed the following day. For your convenience, we offer several shipping options through UPS: Ground, Blue @ Ground, and Next Day Air.
- Program applies to uncoated, straight-fluted tools only. If you're interested in keyseats that do not meet the dimensions above, please contact our quoting department at 800-645-5609 for a custom quote.
- For all orders, actual number of tools shipped and invoiced may be +/- 1.
- All sales are final for custom tooling. No purchase order cancellations accepted.



Harvey Tool Is Proudly Distributed By
METAL REMOVAL TECHNOLOGIES, LLC.
Phone: 901-421-5607 Fax: 901-421-5608